



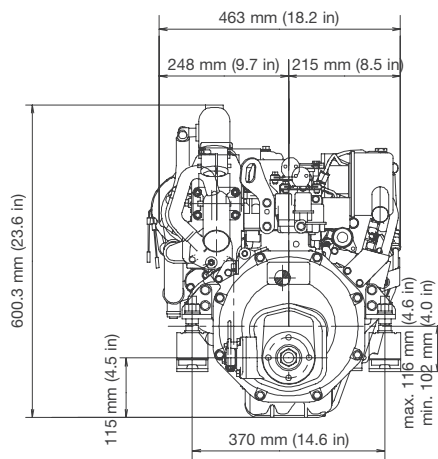
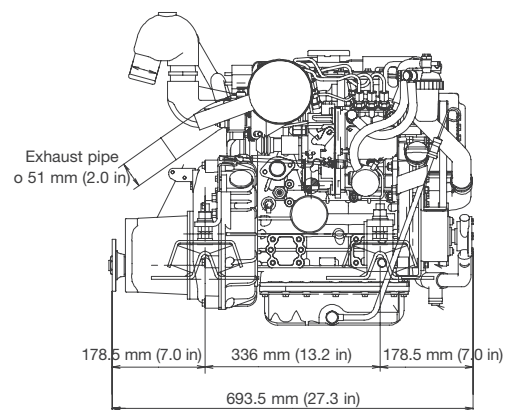
3YM20 Series

| | | | |
|------------------------------------|--|-------------------|-----|
| Configuration | 4-stroke, vertical, water-cooled diesel engine | | |
| Maximum output at crankshaft | * 15.3 kW@3600 rpm | [21 mhp@3600 rpm] | |
| Displacement | 0.854 ltr | [52.1 cu in] | |
| Bore x stroke | 70 mm x 74 mm | [2.8 in x 2.9 in] | |
| Cylinders | 3 | | |
| Combustion system | Indirect injection | | |
| Aspiration | Naturel aspiration | | |
| Starting system | Electric starting 12V - 1.4 kW | | |
| Alternator | 12V - 125A | | |
| Cooling system | Fresh water cooling with heat exchanger | | |
| Lubrication system | Enclosed, forced lubricating system | | |
| Direction of rotation [crankshaft] | Counterclockwise viewed from flywheel side | | |
| Dry weight without gear | 110 kg | [243 lbs] | |
| Environmental | EU: RCD | BSO II | EMC |
| | US: EPA Tier3 | | |
| Engine mounting | Rubber type flexible mounting | | |

NOTE:Fuel condition: Density at 15°C = 0.84 g/cm³; 1 kW = 1.3596 mhp = 1.3410 HP

* Fuel temperature 40°C at the inlet of the fuel injection pump [ISO 8665:2006]

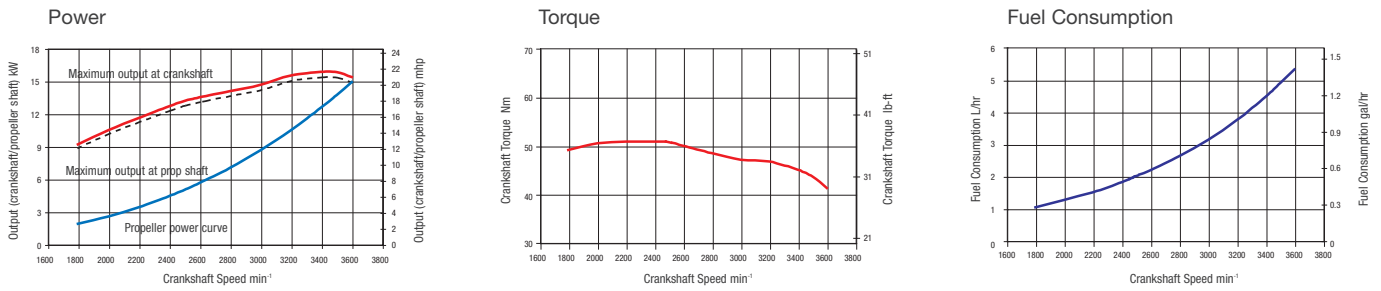
Technical data is according to ISO 8665:2006/3046-1

DIMENSIONS**Rear view****Right side view**

3YM20 with KM2P-1 marine gear



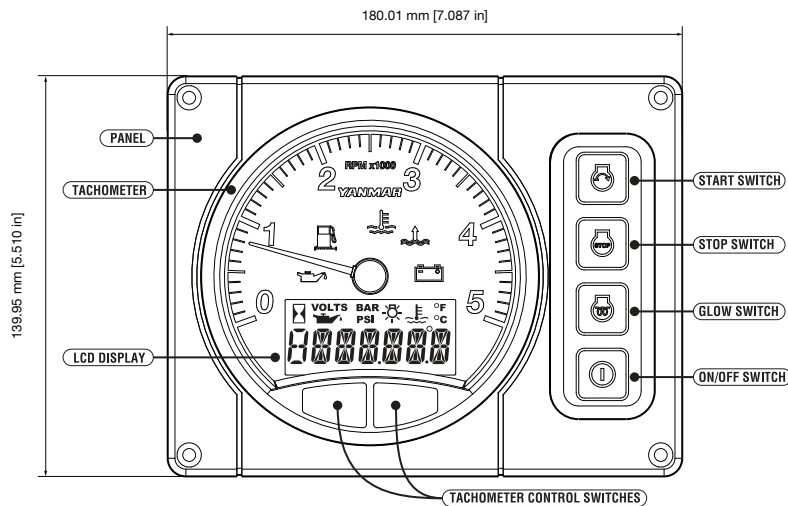
PERFORMANCE CURVES



MARINE GEARS / DRIVE

| Model | KM2P-1 | | | Saildrive [SD25] |
|----------------------------------|---|-----------|-----------|------------------------------------|
| Type | Constant mesh gear with servo-cone clutch | | | Constant mesh gear with dog clutch |
| Dry weight | 10 kg [22 lbs] | | | 30 kg [66 lbs] |
| Reduction ratio [fwd/asn] | 2.21/3.06 | 2.62/3.06 | 3.22/3.06 | 2.64/2.64 |
| Propeller speed [fwd/asn] | 1629/1176 | 1374/1176 | 1118/1176 | 1364/1364 |
| Direction of rotation | Clockwise | | | Counter clockwise |
| [propeller shaft - fwd] | viewed from flywheel side | | | viewed from flywheel side |
| Dry weight engine and gear/drive | 120 kg [265 lbs] | | | 144 kg [317 lbs] |
| Length engine and gear/drive | 693 mm [27 in] | | | 873 mm [34 in] |

INSTRUMENT PANELS



B20 STANDARD

ACCESORIES

Standard engine package

- Set of flexible mounts
- Exhaust mixing elbow [L-type]
- V-belt safety cover
- Expansion tank for fresh water cooling system
- Alternator 12V - 125A
- Electric stop solenoid
- Operation manual
- Sensor for instrument panel
- B20-panel

Optional accessories

- Extension wire harness [4m, 6m, 10m]
- High-riser mixing elbow [instead of L-elbow]
- Hot water kit with cocks
- Second station harness
- Propeller cone nut kit SD25

NOTE: All data subject to change without notice. Text and illustrations are not binding.